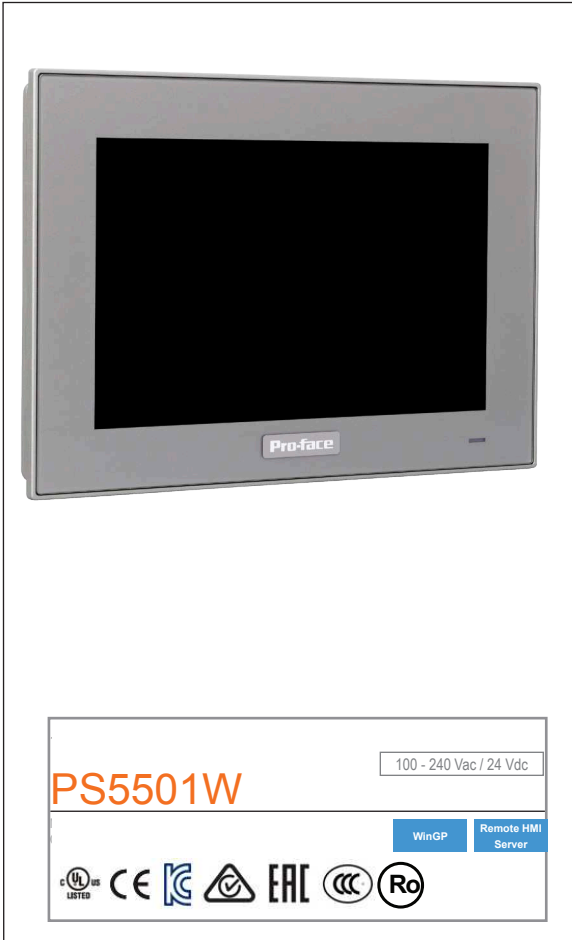


# PS5501W Slim Industrial PC



**Features:**

- Atom™ E3827 1.75 GHz
- Fan-less Design
- IP66 Compliance
- Extensive Connectivity
- Multi-touch display
- Slim Versatile Design
- TFT Color LCD Display

**Performance Specifications**

Model	PS5000 Series Build to order (See reverse side for ordering information)	
Graphics Display Resolution	WSVGA TFT(1,280 x 800 Pixels)	
Display Type and Size	TFT Color LCD (10.1-inch) (Wide 16:9)	
Display Colors	267,000	
Touch Panel	Multi-touch (5 point simultaneous touch) projected capacitive	
Graphics Accelerator:	Intel (R) HD Graphics	
Panel Resolution	4096 x 4096	
Supported OS	Windows® 7 Ultimate 64 bit MUI / Windows® Embedded Standard 7 (Premium) 64 bit MUI / Windows® Embedded 8.1 Industry 64 bit MUI	
CPU	Atom™ E3827 1.75 GHz	
Main Memory	4 GB, DDR3L 1600 MHz, SO-DIMM SDRAM	
Video Memory	Up to 1.7 GB	
Interfaces	Serial ATA	CFAST: x 1/HDD / SSD x 1 *1
	Serial (COM1)	RS-232C ( D-Sub 9-pin, plug )
	Serial (COM2)	RS-232C / 422 / 485 (D-Sub 9-pin, plug)
	Ethernet (LAN1)	10/100/1000 Mbit/s (RJ-45 Modular jack)
	Ethernet (LAN2)	10/100/1000 Mbit/s (RJ-45 Modular jack)
	USB (TYPE-A)	USB 3.0 x 1, USB 2.0 x 1 (Type A)
	Mini PCIe	x 1 (revision 1.2) *1

\*1When installed, an optional unit (PFXZPSADSSD2) that is separately sold is required.

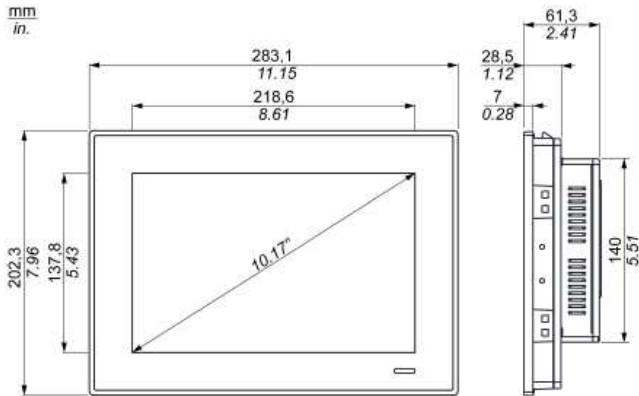
**General Specifications**

Model	PS5000 Series (Build to Order)
Input Voltage	DC Power Model: 24 Vdc ±20 % When using AC power supply unit: 100 to 240 Vac *2
Power Consumption	12 W (Max 24 W)
In-Rush Current	7.5 A
Storage Temperature	-20 to +60 °C (-4 to +140 °F)
Concussion Resistance	IEC60068-2-27 Ea Test
Certifications	CE (EN61000-6-4, EN61000-6-2, EN61131-2), CSA/UL60950, RCM (C-Tick), EAC (GOST-R), RoHS, REACH, CCC, BSMI, KC, WEEE
Surrounding Air Temperature	When using SSD / CFAST running: 0 to 55°C [32 to 131 °F] When using HDD running: 0 to 45 °C [32 to 113 °F]
Ambient/Storage Humidity	10 to 95 % RH (Wet bulb temperature: 40 °C [104 °F] max. - no condensation)
Corrosive Gas	Free of corrosive gases
Pollution Degree	For use in pollution degree 2 environment
Cooling method	Passive heat sink
Mounting	Panel Mounting or VESA mounting with optional kit *3
Air Pressure (altitude range)	2,000 m (6,560 ft) max
Vibration Resistance	Operation for products with SSD or CF card storage device: 5 to 500 Hz: 2 Grms Operation for products with HDD storage device: 5 to 500 Hz: 1 Grms
Electromagnetic Compatibility	Immunity to High Frequency Interference.Electromagnetic Emissions Class A
Structure	IP66 (front side of display)
Weight	2.5 kg [5.51 lb]
External Dimensions	W283.1 x H202.3 x D61.3mm [W 11.15 x H 7.96 x D 2.41 in]
Panel Cut-Out Dimensions	W274.6 x H193.8mm [W 10.81 x H 7.63 in]
Warranty	Two (2) years

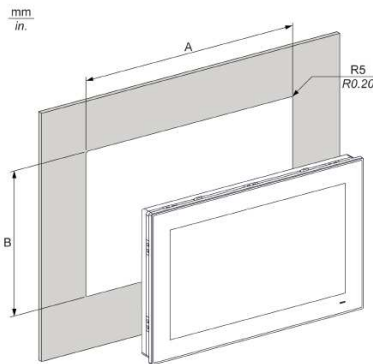
2 For use at 100 to 240 Vac, an optional AC power adapter (PFXZPSUAC2) that is separately sold is required

3 For VESA mounting, optional kit PFXZPSADVS102 (sold separately) is required..

**External Dimensions**



**Panel Cut Dimensions**



Industrial Personal Computer Cut-out	A	B	C	R
10" Wide	274.6 ±0.7 mm (10.81 ±0.03 in.)	193.8 ±0.4 mm (7.63 ±0.02 in.)	2 to 6 mm (0.08 to 0.23 in.)	5 mm (0.20 in.)

In addition to the wide variety of standard interfaces, additional interface options allow for extensive connectivity and product expansion.



**Ordering Information**

**PS - 5501W - A - \* - \* \***

- Form Factor** ..... Slim Type Panel PC Atom
- Product Generation** ..... Second Generation
- Panel PC and Modular Displays**.... **501W**: Slim Type Panel PC 10" Widescreen
- Box PC** ..... **N**: None (S-Panel)
- CPU** ..... **A**: Atom™ E3827 1.75 GHz
- Power Supply** ..... **D**: DC
- Memory** ..... **4G**: 4 GB
- Operating System** ..... None  
**WES7**: WES7 Premium SP1 64bit En MUI  
**W764**: Win7 Ultimate FES SP1 64bit En MUI  
**WE8**: Win8.1 Industry 64bit En MUI
- Main Storage Device** ..... None  
**CF32**: CFast 32GB  
**CF16E**: CFast 16GB with expansion kit  
**SHDE**: HDD 500GB with expansion kit  
**HHDE**: HDD 1TB with expansion kit  
**SSD8E**: SSD 80GB with expansion kit  
**SSD16E**: SSD 160GB with expansion kit  
**SSD24E**: SSD 240GB with expansion kit  
**EXA**: Expansion kit only
- Optional Interfaces** ..... None  
**NV**: Interface - NVRAM  
**485X2**: Interface - 2 x RS422/485 Isolated  
**485X4**: Interface - 4 x RS422/485  
**232X2**: Interface - 2 x RS232 Isolated  
**232X4**: Interface - 4 x RS232  
**IO**: Interface - 16DI / 8DO  
**CO**: Interface - 2x CanOpen CanBus  
**PF**: Interface - Profibus DP Master with NVRAM  
**ETH**: Interface - 1xEth. Gigabit IEEE1588 for IPC  
**USBX2**: Interface - 2 x USB 3.0  
**CL**: Interface - 1x GPRS/GSM
- Secondary Storage** ..... **N**: None  
**CF32**: CFast 32GB  
**SHD**: HDD 500GB  
**HHD**: HDD 1TB  
**SSD8**: SSD 80GB  
**SSD16**: SSD 160GB  
**SSD24**: SSD 240GB
- Software** ..... None  
**WGP**: WinGP  
**HMIS** Remote HMI Server  
**WGPHMIS**: WinGP + Remote HMI Server  
**OPN15**: BLUE Open Studio Runtime 1.5K tags  
**OPN40**: BLUE Open Studio Runtime 4K tags  
**OPN64**: BLUE Open Studio Runtime 64K tags
- Extended Warranty** ..... None (2 year standard)  
One year extended  
Two year extended

**Optional Items**

Part Number	Description
PFXZPPDSP102	Screen Protection Sheet for 10" Wide (5pcs)
PFXZPPWG102	Gasket for W10.1" (1 pcs)
PFXAPPAF12P2	Installation fastener for PS5000
PFXZPSADVS102	VESA mounting kit

KOMTEK LLC,  
 Saint-Petersburg, Pulkovskoe shosse 30/4 office 108  
 Phone: +7 812 336 47 06  
 e-mail: office@komtek-sp.ru  
 web : www.komtek-sp.ru