

# PS5700T Universal Modular Industrial PC



**Features:**

- Celeron® 2980U 1.6 GHz
- Fan-less Design
- Extensive Connectivity
- Modular Flexible Design
- TFT Color LCD Display
- VESA Mounting Options

**Performance Specifications**

Model	PS5000 Series (Build to Order)	
Graphics Display Resolution	XGA TFT (1,024 x 768 pixels)	
Display Type & Size	TFT Color LCD (15-inch) (4:3)	
Display Colors	16.7 Million	
Touch Panel	Resistive single touch	
Graphic Accelerator	Intel HD Graphics	
Panel Resolution	2048 x 2048	
Supported OS	Windows® 7 Ultimate 64 bit MUI / Windows® Embedded Standard 7 (WES7P) 64 bit MUI / Windows® Embedded 8.1 Industry 64 bit MUI	
CPU	Celeron® 2980U 1.6 GHz	
Main Memory	4 GB / 8 GB, DDR3L 1600 MHz, SO-DIMM SDRAM 512 KB NVRAM for the user	
Video Memory	Up to 1.7 GB, Shared system memory	
Interfaces	Serial ATA	HDD / SSD x 2 *1 CFast x 1 mSATA x 1
	Serial (COM1)	RS-232C / 422 / 485 (D-Sub 9-pin, plug)
	Ethernet (LAN1)	10/100/1000 Mbit/s (RJ-45 Modular jack)
	Ethernet (LAN2)	10/100/1000 Mbit/s (RJ-45 Modular jack)
	USB	USB 3.0 x 2, USB 2.0 x 2, USB 2.0 x1 (front) (Type A)
	Video	DisplayPort (Type A) x 1
	Mini PCIe	x 2 (revision 1.2)
	Expansion Slot *2	PCIe (x4) x 2 / PCI x 2 / PCI x 1 + PCIe (x4) x 1

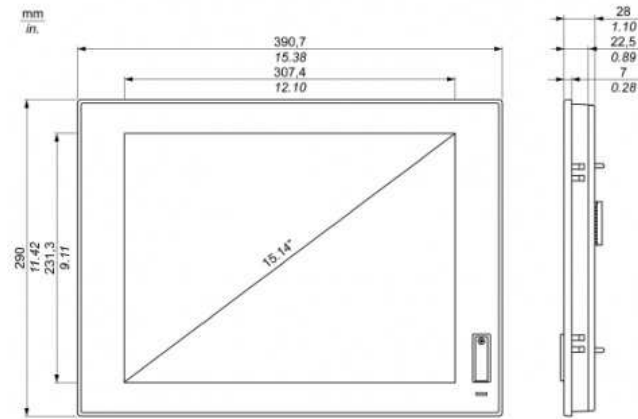
\*1 When installed, an optional disk adapter unit (PFXZPBADHDD2) that is separately sold is required. \*2 2 slot model only.

**General Specifications**

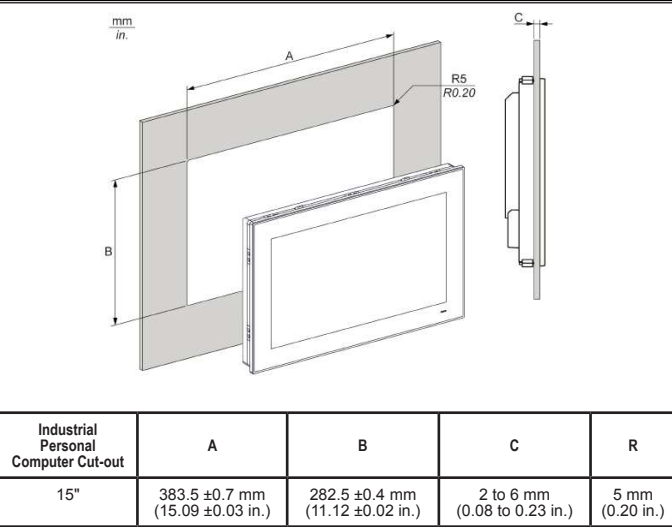
Model	PS5000 Series (Build to Order)
Input Voltage	DC Power Model: 24 Vdc ±20 % When using AC power supply unit: 100 to 240 Vac *3
Power Consumption	25.5 W (Max. 39.9 W)
In-Rush Current	8.9 A
Storage Temperature	-30 to 70° [-22 to 158°]
Certifications	Class 1 Div 2, CE (EN61000-6-4, EN61000-6-2, EN61131-2), CSA/UL61010, RCM (C-Tick), EAC (GOST-R), RoHS, REACH, CCC, KC, WEEE, ATEX
Concussion Resistance	IEC60068-2-27 Ea Test
Pollution Degree	For use in pollution degree 2 environment
Surrounding Air Temperature	When using SSD / CFast running: 0 to 55° [32 to 131°] When using HDD running: 0 to 45° [32 to 113°] When using mPCI x 2 + Display module : 0 to 45° [32 to 113°] When using PCI/PCIe : 0 to 45° [32 to 113°]
Ambient/Storage Humidity	10 to 95 % RH (Wet bulb temperature: 40 °C [104 °F] max. - no condensation)
Installation Configuration	Panel Mounting or VESA mounting with optional kit *4
Cooling Method	Passive heat sink *5
Air Pressure (altitude range)	2,000 m (6,560 ft) max
Vibration Resistance	Operation for products with SSD or CF card storage device: 5 to 500 Hz: 2 Grms Operation for products with HDD storage device: 5 to 500 Hz: 1 Grms
Electromagnetic Compatibility	Immunity to High Frequency Interference. Electromagnetic Emissions Class A
Structure	IP66 (front side of display)
Weight	0 slot: 7.3 kg (16 lbs.) 2 slot: 8.1 kg (17.8 lbs.)
External Dimensions	0 slot: W390.7 x H290.0 x D93.2 mm [W15.38 x H11.42 x D3.67 in.] 2 slot: W390.7 x H290.0 x D131.2 mm [W15.38 x H11.42 x D5.16 in.]
Panel Cut-Out Dimensions	W383.5 x H282.5 mm [W15.09 x H11.12 in.]
Warranty	Two (2) years

\*3 For use at 100 to 240 Vac, an optional AC power adapter (PFXZPBPUAC2) that is separately sold is required. \*4 VESA mounting kit sold separately is required. 0 slot: PFXZPBADVS02, 2 slot: PFXZPBADVS22 \*5 The operating temperature is limited to 45 C and the cooling fan is required for PCI/PCIe cards installed on board with power consumption from 3W to 6W max. for two cards or 10W max for one card.

**External Dimensions**



**Panel Cut Dimensions**



In addition to the wide variety of standard interfaces, additional interface options allow for extensive connectivity and product expansion.



**Ordering Information**

**PS5700T-CE-\*\*\***

- Panel PC and Modular Displays..... **700T**: Modular Display 15"
- Box PC.....
  - CE-4G**: Box PC Celeron 4GB (1xDP, 2xEth.,1xCOM, 4xUSB, MRAM)
  - CE-8G**: Box PC Celeron 8GB (1xDP, 2xEth.,1xCOM, 4xUSB, MRAM)
  - CE-4G-1P1E**: Box PC Celeron 4GB 1 PCI + 1 PCIe (1xDP, 2xEth.,1xCOM, 4xUSB, MRAM)
  - CE-8G-1P1E-CC**: Box PC Celeron 8GB-RAM, 1 PCI+1 PCIe Conformal Coating (1xDP, 2xEth., 1xCOM, 4xUSB, MRAM)
  - CE-4G-2P**: Box PC Celeron 4GB-RAM, 2 PCI (1xDP, 2xEth., 1xCOM, 4xUSB, MRAM)
  - CE-8G-2P**: Box PC Celeron 8GB-RAM, 2 PCI (1xDP, 2xEth., 1xCOM, 4xUSB, MRAM)
  - CE-4G-2E**: Box PC Celeron 4GB-RAM, 2 PCIe (1xDP, 2xEth., 1xCOM, 4xUSB, MRAM)
  - CE-8G-2E**: Box PC Celeron 8GB-RAM, 2 PCIe (1xDP, 2xEth., 1xCOM, 4xUSB, MRAM)
- CPU Fan Kit ..... None
  - F: CPU Fan Kit for expansion cards above 3W
- Power Supply.....
  - D: 24 vDC
  - A: 100 - 240 AC
- Operating System..... None
  - WES7: Windows Embedded Standard 7 (WES7P) SP1 64 bits MUI
  - W764: Win7 Ultimate FES SP1 64bit En MUI
  - WE8 : Win8.1 Industry 64bit En MUI
- Main Storage Device ..... None
  - CF32: CFast 32GB
  - SHD: HDD 500GB
  - HHD: HDD 1TB
  - SSD8: SSD 80GB
  - SSD16: SSD 160GB
  - SSD24: SSD 240GB
- Optional Interfaces ..... None
  - 485X2: Interface - RS485 x 2 Isolated
  - 485X4: Interface - 4 x RS422/485
  - USBX2: Interface - 2 x USB 3.0
  - 232X2: Interface - 2 x RS232 Isolated
  - 232X4: Interface - 4 x RS232
  - IO: Interface - 16DI / 8DO
  - AU: Interface - Audio
  - CL: Interface - 1x GPRS/GSM
  - ETH: Interface - Gigabit IEEE 1588 Lan
  - CO: Interface - 2x CanOpen CanBus
  - PF: Interface - Profibus DP Master with NVRAM
  - LANX2: Interface - 2x PoE LAN
- Secondary Storage ..... None
  - CF32: CFast 32GB
  - SHD: HDD 500GB
  - HHD: HDD 1TB
  - SSD8: SSD 80GB
  - SSD16: SSD 160GB
  - SSD24: SSD 240GB
- Software ..... None
  - WGP: WinGP
  - HMIS: Remote HMI Server
  - WGPHMIS: WinGP + Remote HMI Server
  - OPN15: BLUE Open Studio Runtime 1.5K tags
  - OPN40: BLUE Open Studio Runtime 4K tags
  - OPN64: BLUE Open Studio Runtime 64K tags
- Extended Warranty..... None (2 year standard)
  - One year extended
  - Two year extended

KOMTEK LLC,  
 Saint-Petersburg, Pulkovskoe shosse 30/4 office 108  
 Phone: +7 812 336 47 06  
 e-mail: office@komtek-spb.ru  
 web : www.komtek-spb.ru