

PS5701W Slim Industrial PC



Features:

- Atom™ E3827 1.75 GHz
- Fan-less Design
- IP66 Compliance
- Extensive Connectivity
- Multi-touch display
- Slim Versatile Design
- TFT Color LCD Display

Performance Specifications

Models	PS5000 Series- Build to order (See reverse side for ordering information)	
Graphics Display Resolution	FWXGA TFT (1,366 x 768 pixels)	
Display Type and Size	TFT Color LCD (15.6-inch) (Wide 16:9)	
Display Colors	16.7 Million	
Touch Panel	Multi-touch (5 point simultaneous touch) projected capacitive	
Graphics Accelerator:	Intel (R) HD Graphics	
Panel Resolution	4096 x 4096	
Supported OS	Windows® 7 Ultimate 64 bit MUI / Windows® Embedded Standard 7 (Premium) 64 bit MUI / Windows® Embedded 8.1 Industry 64 bit MUI	
CPU	Atom™ E3827 1.75 GHz	
Main Memory	4 GB, DDR3L 1600 MHz, SO-DIMM SDRAM	
Video Memory	Up to 1.7 GB (Shared System Memory)	
Interfaces	Serial ATA	CFAST: x 1/HDD / SSD x 1 ^{*1}
	Serial (COM1)	RS-232C (D-Sub 9-pin, plug)
	Serial (COM2)	RS-232C / 422 / 485 (D-Sub 9-pin, plug)
	Ethernet (LAN1)	10/100/1000 Mbit/s (RJ-45 Modular jack)
	Ethernet (LAN2)	10/100/1000 Mbit/s (RJ-45 Modular jack)
	USB	USB 3.0 x 1, USB 2.0 x 1 (Type A)
	Mini PCIe	x 1 (revision 1.2) ^{*1}

^{*1}When installed, an optional unit (PFXZPSADSSD2) that is separately sold is required.

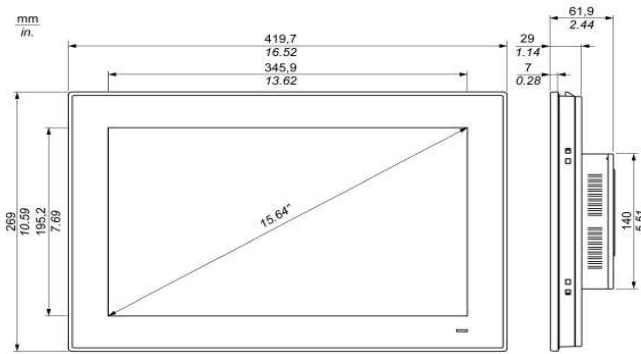
General Specifications

Models	PS5000 Series (Build to Order)
Input Voltage	DC Power Model: 24 Vdc ±20 % When using AC power supply unit: 100 to 240 Vac ^{*2}
Power Consumption	18 W (Max. 30 W)
In-Rush Current	7.5 A
Storage Temperature	- 20 to +60 °C (- 4 to +140 °F)
Concussion Resistance	IEC60068-2-27 Ea Test
Certifications	CE (EN61000-6-4, EN61000-6-2, EN61131-2), CSA/UL60950, RCM (C-Tick), EAC (GOST-R), RoHS, REACH, CCC, BSMI, KC, WEEE
Surrounding Air Temperature	When using SSD / CFAST running: 0 to 55°C [32 to 131 °F] When using HDD running: 0 to 45 °C [32 to 113 °F]
Ambient/Storage Humidity	10 to 95 % RH (Wet bulb temperature: 40 °C [104 °F] max. - no condensation)
Pollution Degree	For use in pollution degree 2 environment
Cooling method	Passive heat sink
Mounting	Panel Mounting or VESA mounting with optional kit ^{*3}
Air Pressure (altitude range)	2,000 m (6,560 ft) max
Vibration Resistance	Operation for products with SSD or CF card storage device: 5 to 500 Hz: 2 Grms Operation for products with HDD storage device: 5 to 500 Hz: 1 Grms
Electromagnetic Compatibility	Immunity to High Frequency Interference.Electromagnetic Emissions Class A
Structure	IP66 (front side of display)
Weight	3.9 kg [8.6 lb]
External Dimensions	W419.7 x H269.0 x D61.9 mm [W16.52 x H10.59 x D2.44 in.]
Panel Cut-Out Dimensions	W412.4 x H261.7 mm [W16.24 x H10.30 in.]
Warranty	Two (2) years

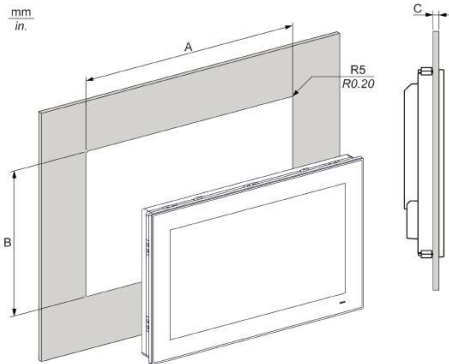
² For use at 100 to 240 Vac, an optional AC power adapter (PFXZPSPUAC2) that is separately sold is required.

³ For VESA mounting, optional kit PFXZPSADVS152 (sold separately) is required..

External Dimensions



Panel Cut Dimensions



Industrial Personal Computer Cut-out	A	B	C	R
15" Wide	412.4 ±0.7 mm (16.24 ±0.03 in.)	261.7 ±0.4 mm (10.30 ±0.02 in.)	2 to 6 mm (0.08 to 0.23 in.)	5 mm (0.20 in.)

In addition to the wide variety of standard interfaces, additional interface options allow for extensive connectivity and product expansion.



Ordering Information

PS-5701W-A--****

- Form Factor**..... Slim Type Panel PC Atom
- Product Generation**..... Second Generation
- Panel PC and Modular Displays**.... **701W**: Slim Type Panel PC 15" Widescreen
- Box PC**..... **N**: None (S-Panel)
- CPU**..... **A**: Atom™ E3827 1.75 GHz
- Power Supply**..... **D**: DC
- Memory**..... **4G**: 4 GB
- Operating System**..... None
WES7: WES7 Premium SP1 64bit En MUI
W764: Win7 Ultimate FES SP1 64bit En MUI
WE8: Win8.1 Industry 64bit En MUI
- Main Storage Device** None
CF32: CFast 32GB
CF32E: CFast 32GB with expansion kit
SHDE: HDD 500GB with expansion kit
HHDE: HDD 1TB with expansion kit
SSD8E: SSD 80GB with expansion kit
SSD16E: SSD 160GB with expansion kit
SSD24E: SSD 240GB with expansion kit
EXA: Expansion kit only
- Optional Interfaces** None
NV: Interface - NVRAM
485X2: Interface - 2 x RS422/485 Isolated
485X4: Interface - 4 x RS422/485
232X2: Interface - 2 x RS232 Isolated
232X4: Interface - 4 x RS232
IO: Interface - 16DI / 8DO
CO: Interface - 2x CanOpen CanBus
PF: Interface - Profibus DP Master with NVRAM
ETH: Interface - 1xEth. Gigabit IEEE1588 for IPC
USBX2: Interface - 2 x USB 3.0
CL: Interface - 1x GPRS/GSM
- Secondary Storage** **N**: None
CF32: CFast 32GB
SHD: HDD 500GB
HHD: HDD 1TB
SSD8: SSD 80GB
SSD16: SSD 160GB
SSD24: SSD 240GB
- Software** None
WGP: WinGP
HMIS Remote HMI Server
WGPHMIS: WinGP + Remote HMI Server
OPN15: BLUE Open Studio Runtime 1.5K tags
OPN40: BLUE Open Studio Runtime 4K tags
OPN64: BLUE Open Studio Runtime 64K tags
- Extended Warranty** None (2 year standard)
One year extended
Two year extended

Optional Items

Part Number	Description
PFXZPPDSP152	Screen Protection Sheet for 15.6" (5pcs)
PFXZPPWG152	Gasket for W15.6" (1 pcs)
PFXAPPAF12P2	Installation fastener for PS5000
PFXZPSADVS152	VESA mounting kit

KOMTEK LLC,
 Saint-Petersburg, Pulkovskoe shosse 30/4 office 108
 Phone: +7 812 336 47 06
 e-mail: office@komtek-spb.ru
 web : www.komtek-spb.ru